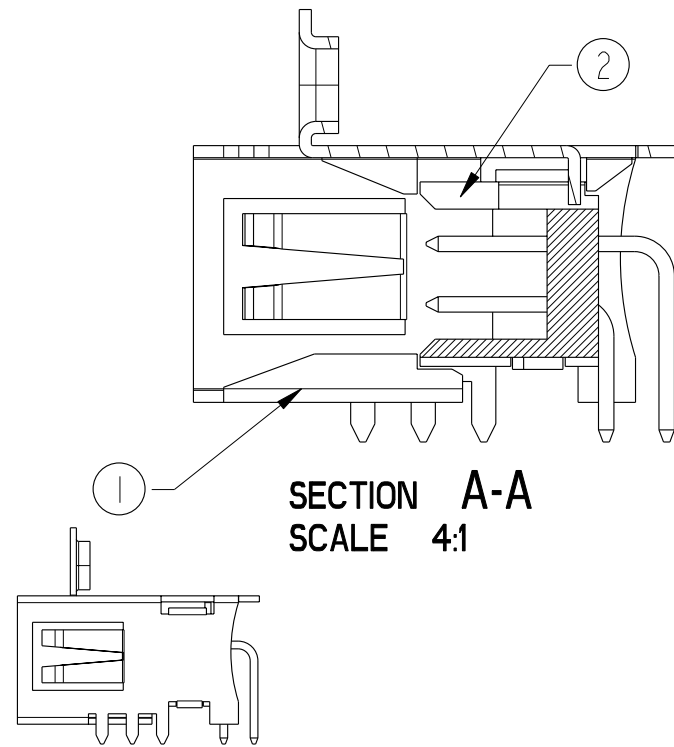
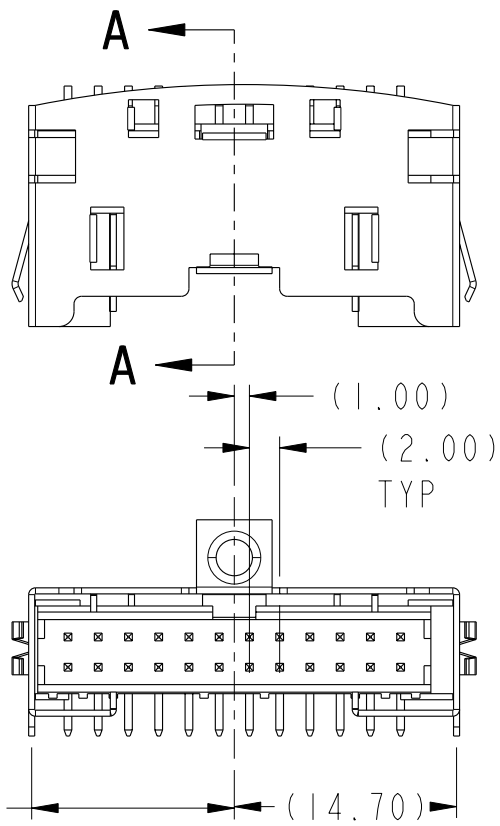


PRODUCT NUMBER
10069230-001LF



SECTION A-A
SCALE 4:1

NOTES:

- PART NUMBERS WITH 'LF' SUFFIX ARE LEAD FREE.
- MOUNTING SCREW FOR ASSEMBLY IS NOT SUPPLIED BY FCI.
- P/N WAS SK-49152
- SIGNAL SHIELD (ITEM NO. 1)
MATERIAL: PHOSPHOR BRONZE 0.4mm THICK WITH H04 TEMPER
PLATED WITH 1.27-2.54um NICKEL .
- EDGES OF THE SHIELD WILL BE UNPLATED

rev	ecn no	dr	date
A	V06-0554	DAI	2006-06-12
B	M06-0421	MHT	2006-10-24
C	V07-0050	MHT	2007-01-30
D	M07-0207	MHT	2007-05-04
-	-	-	-
-	-	-	-
-	-	-	-

www.fciconnect.com		surface <input checked="" type="checkbox"/>	tolerance std	projection	mm
		TOLERANCES UNLESS OTHERWISE SPECIFIED			
Dr	D. INGRAM	D. INGRAM	ANGULAR	LINEAR	0.X ±0.3
Eng	H. SUNDY	2006-05-15	0° ±2°		0.XX ±0.10
Chr	H. SUNDY	2006-05-15			0.XXX ±0.050
Appr	H. SUNDY	2006-05-15	Product family	-	Spec ref
		title		SIGNAL HEADER ASSEMBLY	
catalog no		-		dwg no	10069230
		CUSTOMER		Rev.	D
		sheet 1 of 6			



Copyright FCI.

PRODUCT NUMBER
10069230-001LF

ITEM NO.	DESCRIPTION	QTY
1	SIGNAL SHIELD	1
2	R/A SHR HEADER ASSEMBLY	1

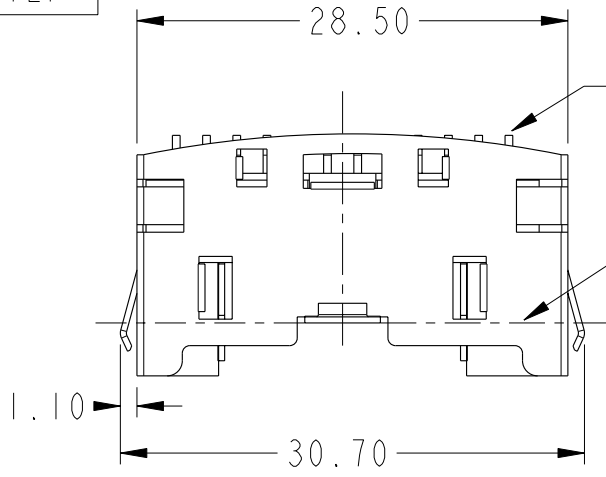


Copyright FCI.

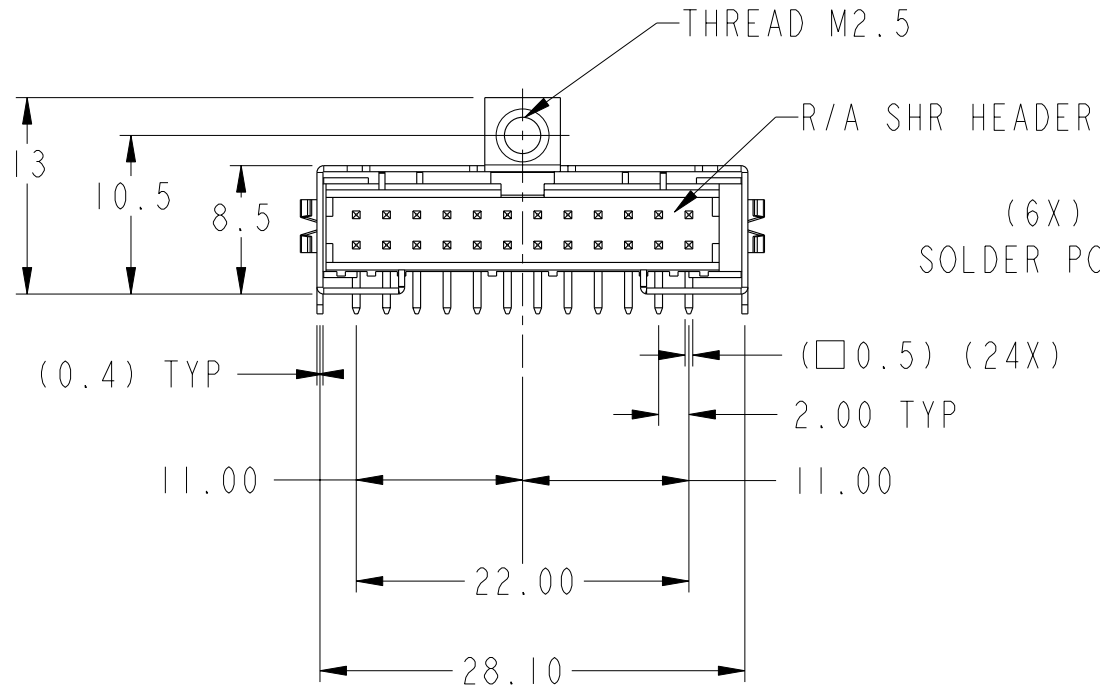
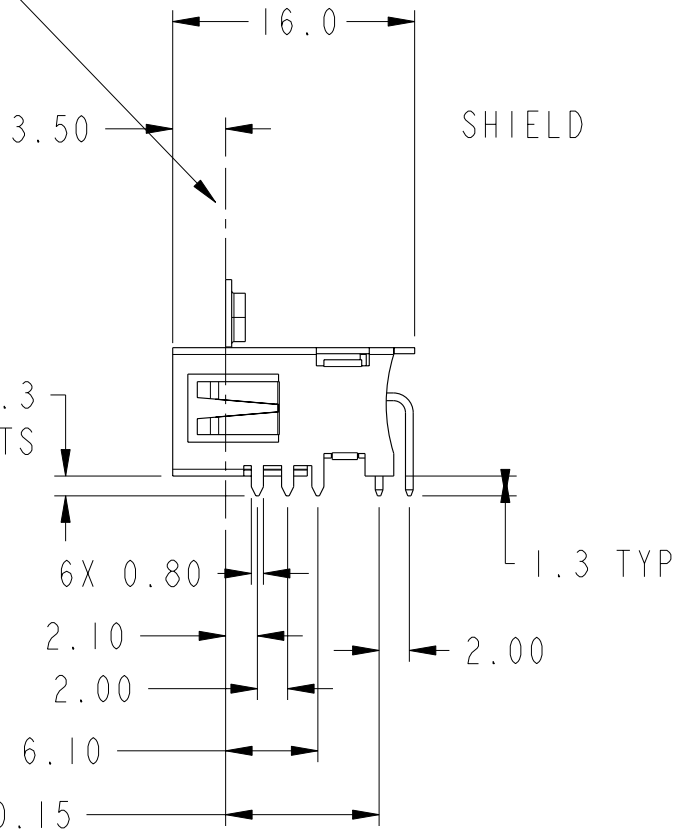
	title	SIGNAL HEADER ASSEMBLY		Rev.	D
	catalog no	-	CUSTOMER	dwg no	10069230 sheet 2 of 6

REV F - 2006-04-17

PRODUCT NUMBER
10069230-001LF



MATING SURFACE
PANEL CUT-OUT



Copyright FCI.

	SIGNAL HEADER ASSEMBLY		dwg no	10069230	Rev.	D
	catalog no	-	CUSTOMER	sheet 3 of 6		

REV F - 2006-04-17

PRODUCT NUMBER
10069230-001LF

22.00

2X (11.00)

1.00

TYP 2.00

⊕ ∅0.10 A B C (22X)

∅0.800
⊕ ∅0.10 A

B

∅0.800
⊕ ∅0.10 A B

C

2.00

8.05

2X 2.00

6X ∅1.02
⊕ ∅0.10 A B C

13.40

14.70

1.50
PLEASE
VERIFY THIS
DIM

OF DATUM B
AND
DATUM C

PANEL INSIDE
SURFACE

A

A

A

B

B

C

C

D

D

RECOMMENDED BOARD LAYOUT
SCALE 3:1



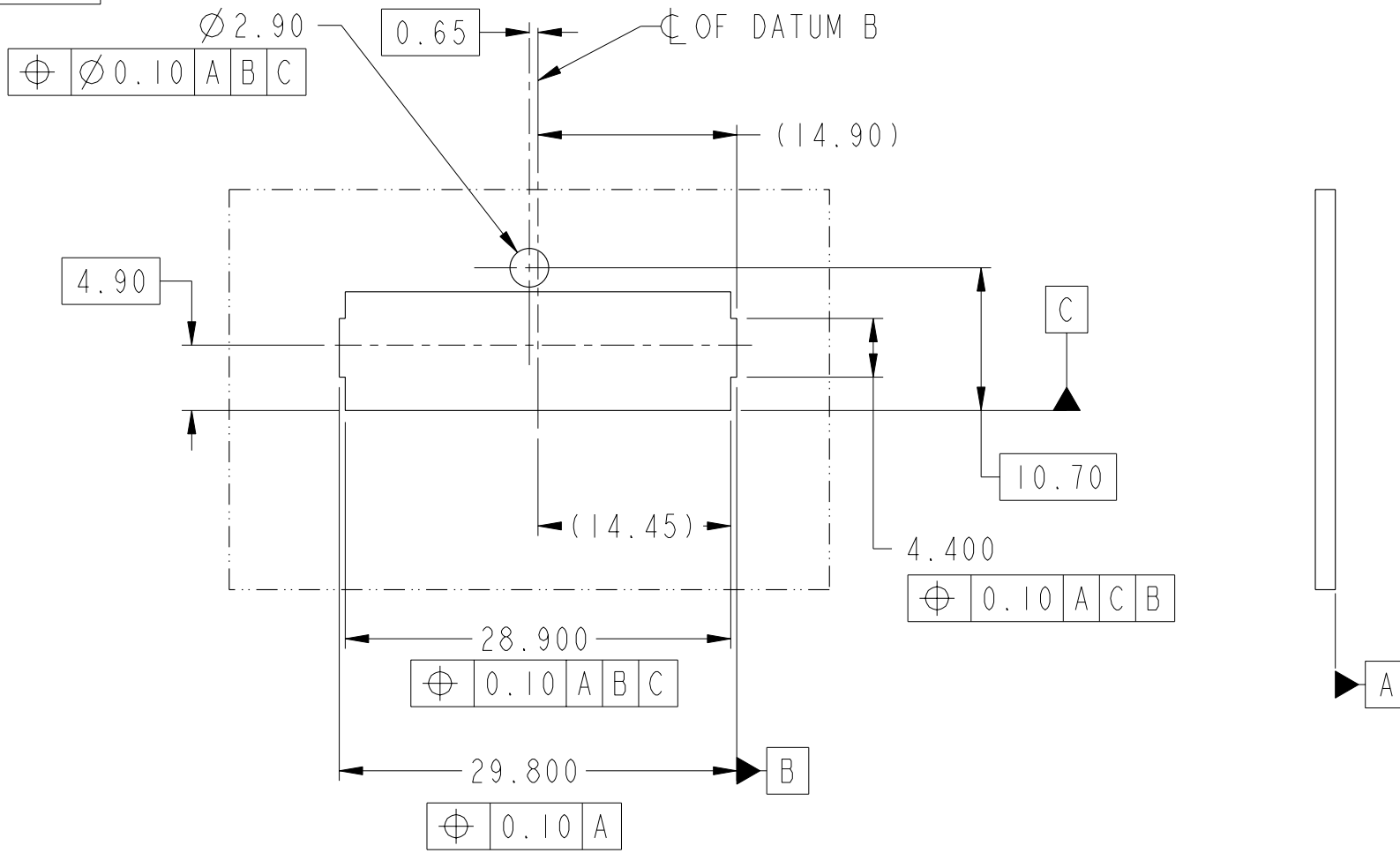
title SIGNAL HEADER ASSEMBLY catalog no -	dwg no 10069230	Rev. D
	CUSTOMER	sheet 4 of 6

REV F - 2006-04-17



Copyright FCI.

PRODUCT NUMBER
10069230-001LF



RECOMMENDED
PANEL CUT-OUT
SCALE 2:1

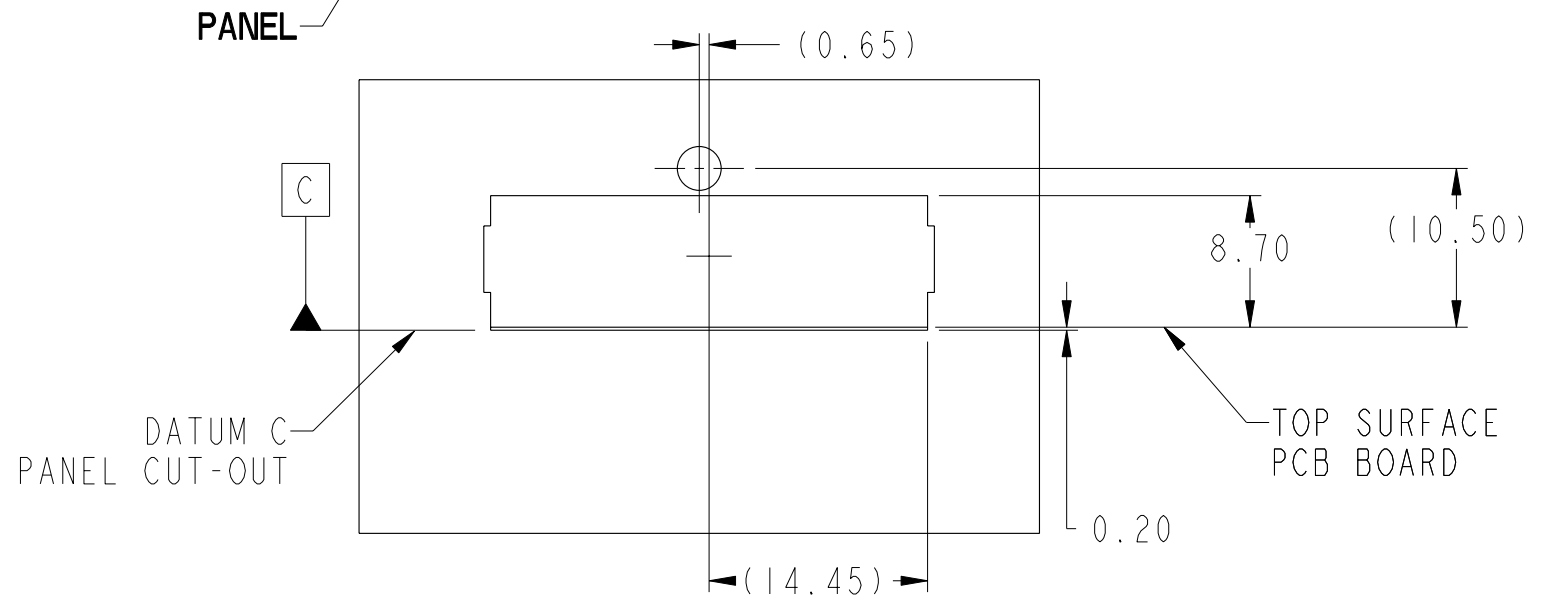
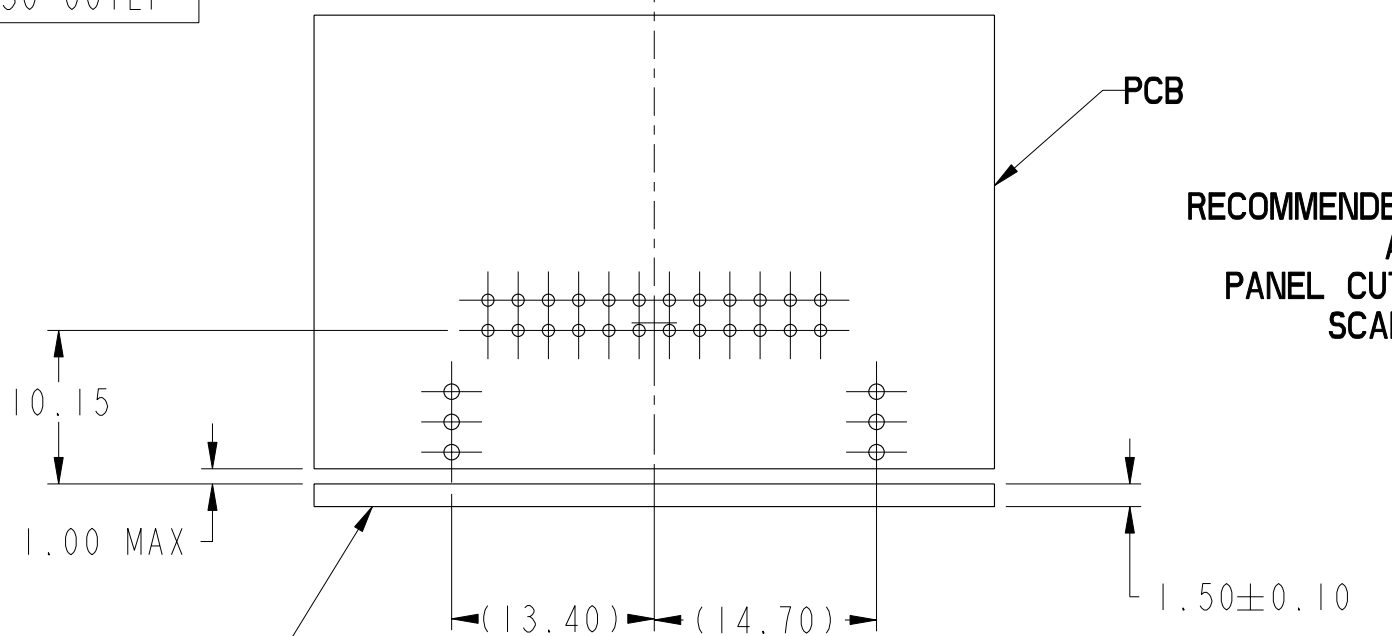


title	SIGNAL HEADER ASSEMBLY	dwg no	10069230	Rev.	D
catalog no	-	CUSTOMER	sheet 5 of 6		



PRODUCT NUMBER
10069230-001LF

RECOMMENDED PCB LAYOUT
AND
PANEL CUT-OUT SHOWN
SCALE 2:1



Copyright FCI.

	title SIGNAL HEADER ASSEMBLY	dwg no 10069230	Rev. D
	catalog no -	CUSTOMER	sheet 6 of 6

REV F - 2006-04-17